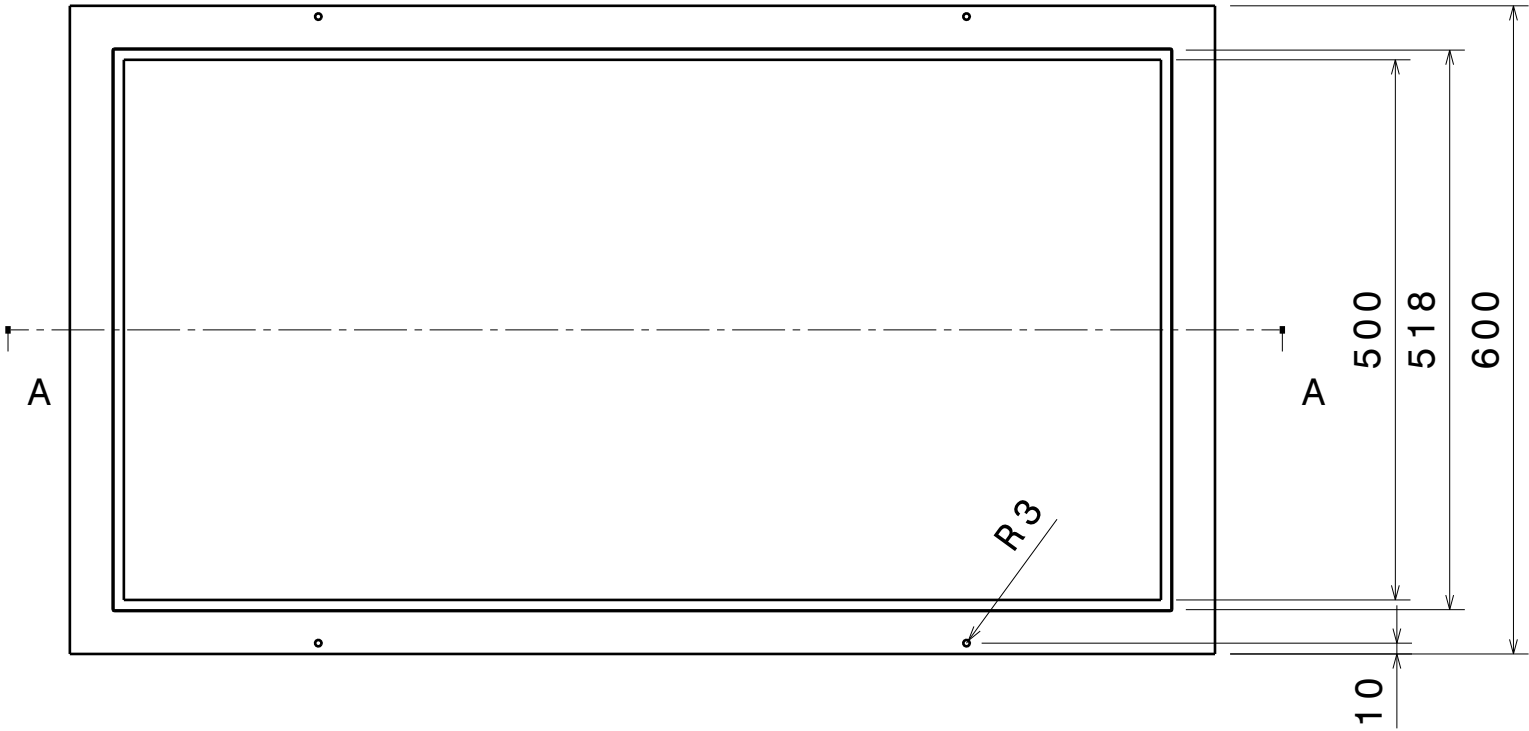
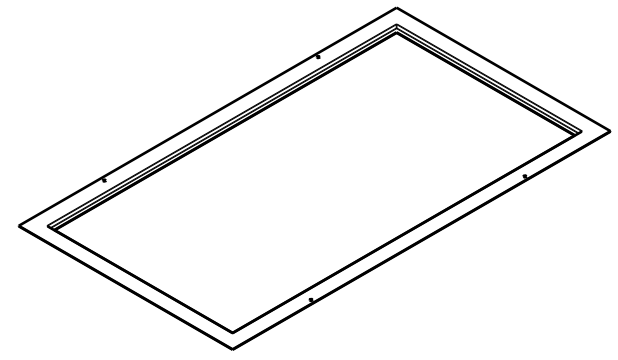
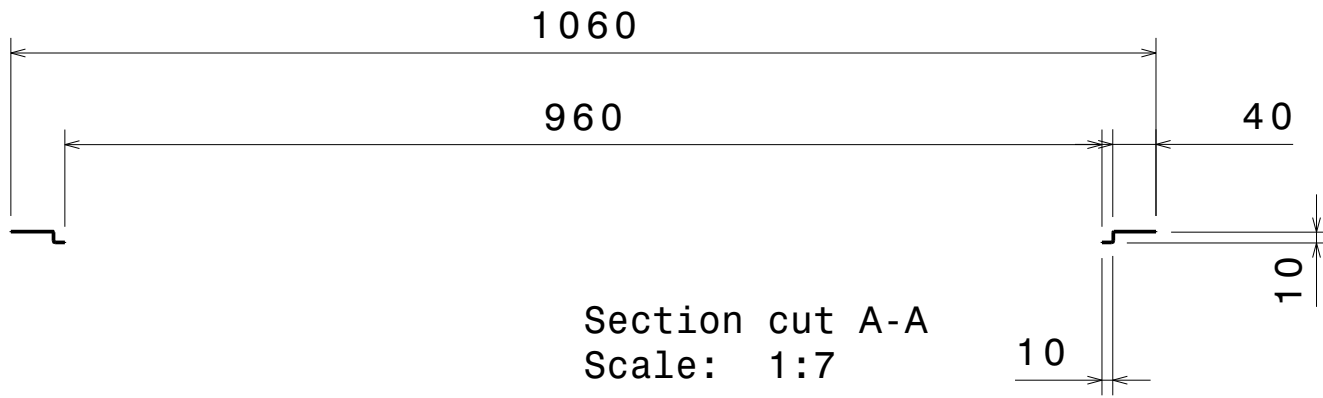
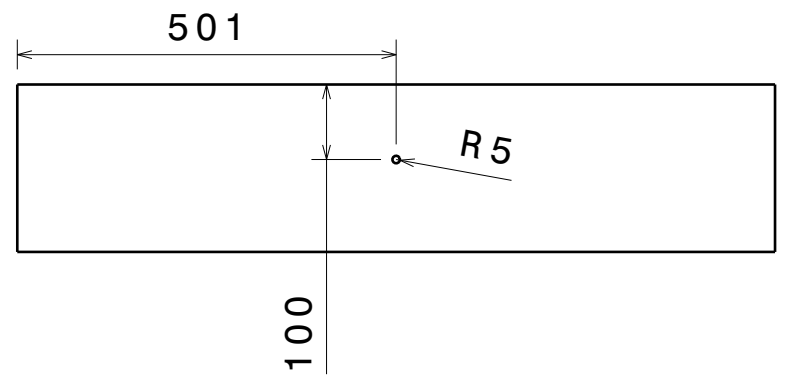
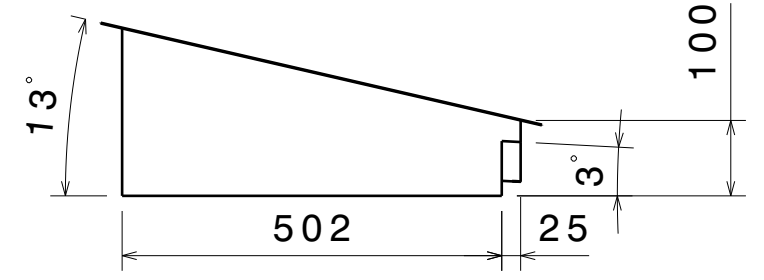
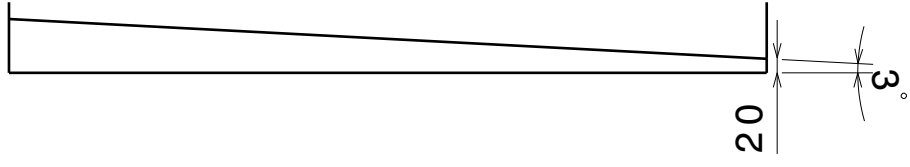
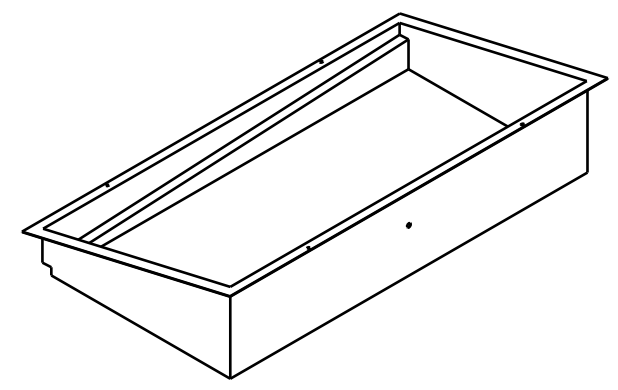
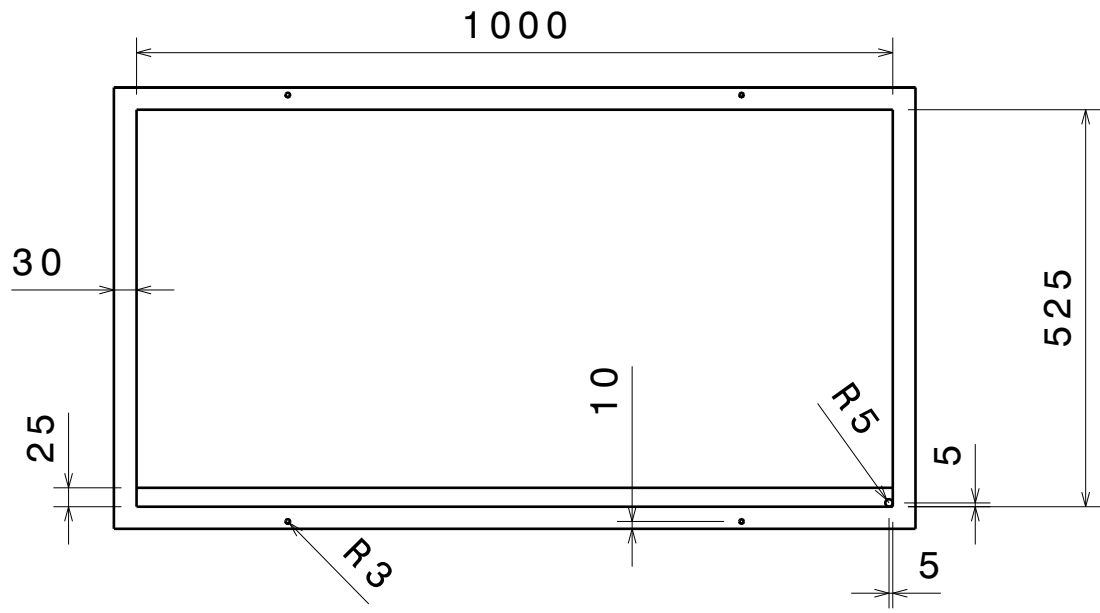


Note: material used is G I 0.8 - 1mm Thick.
 R3 Holes should match with R3 holes on SS
 liner and mirror Frame respectively.



Note: Material used is G I, 1 mm thick



Note: Material used is SS 0.8mm thick