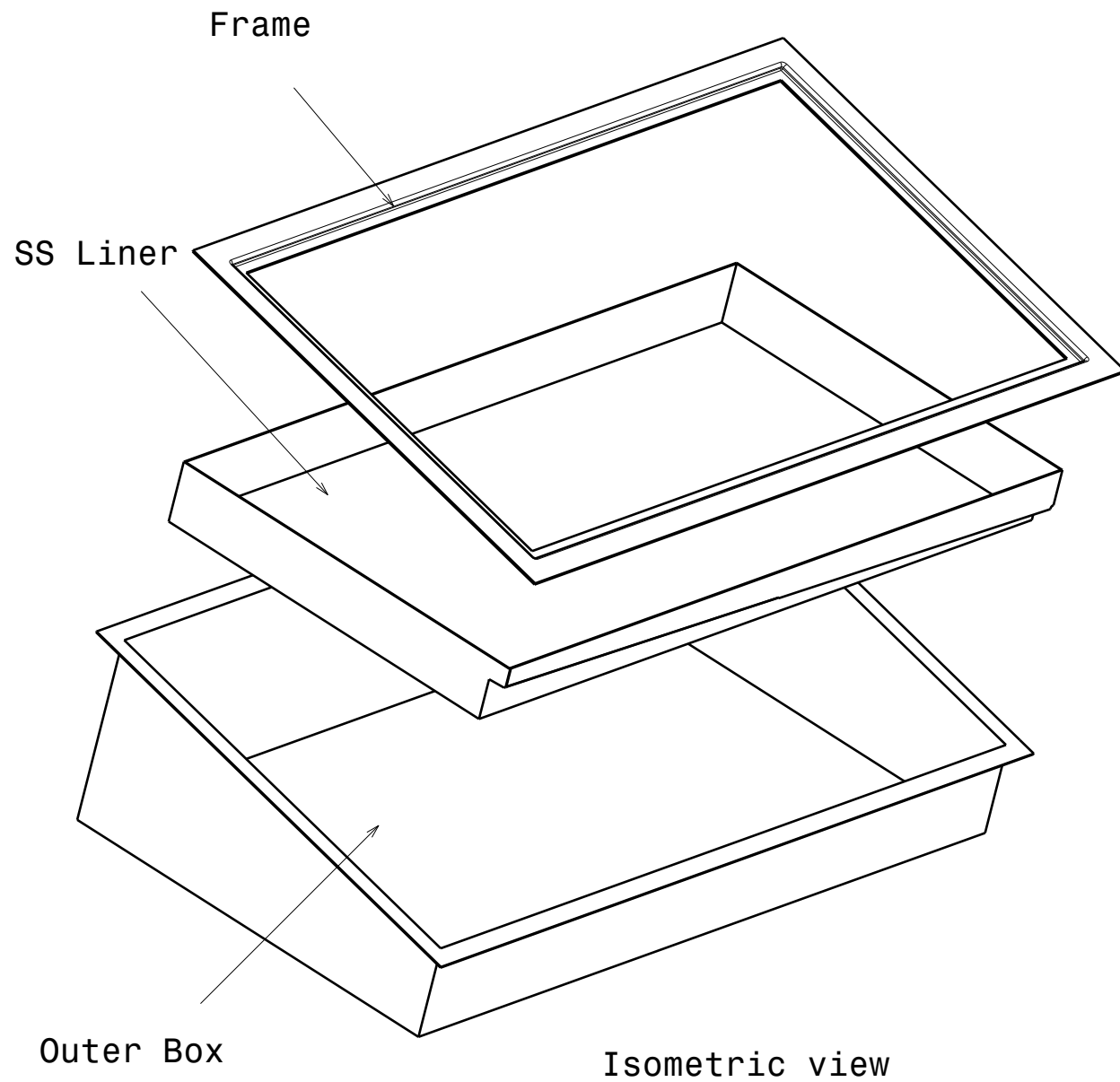




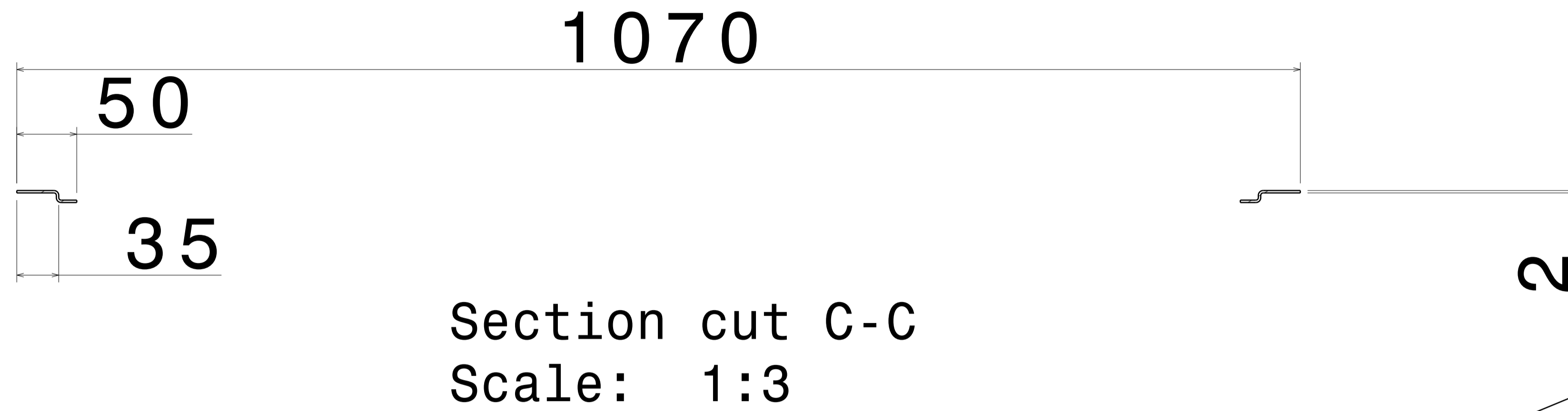
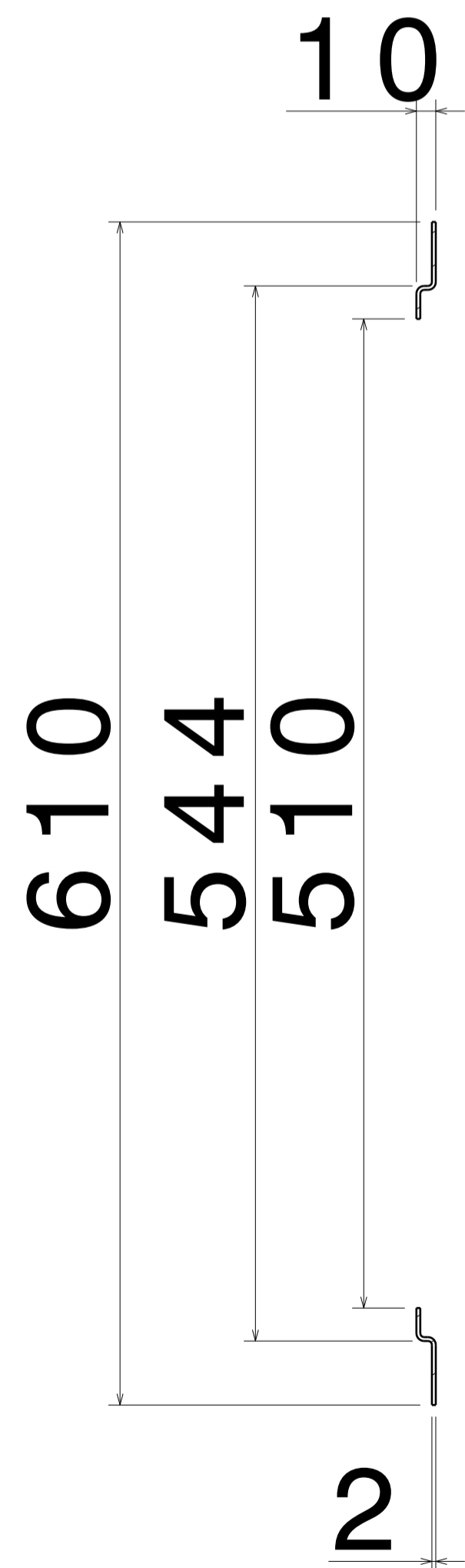
SURYAGEN
The power to shine



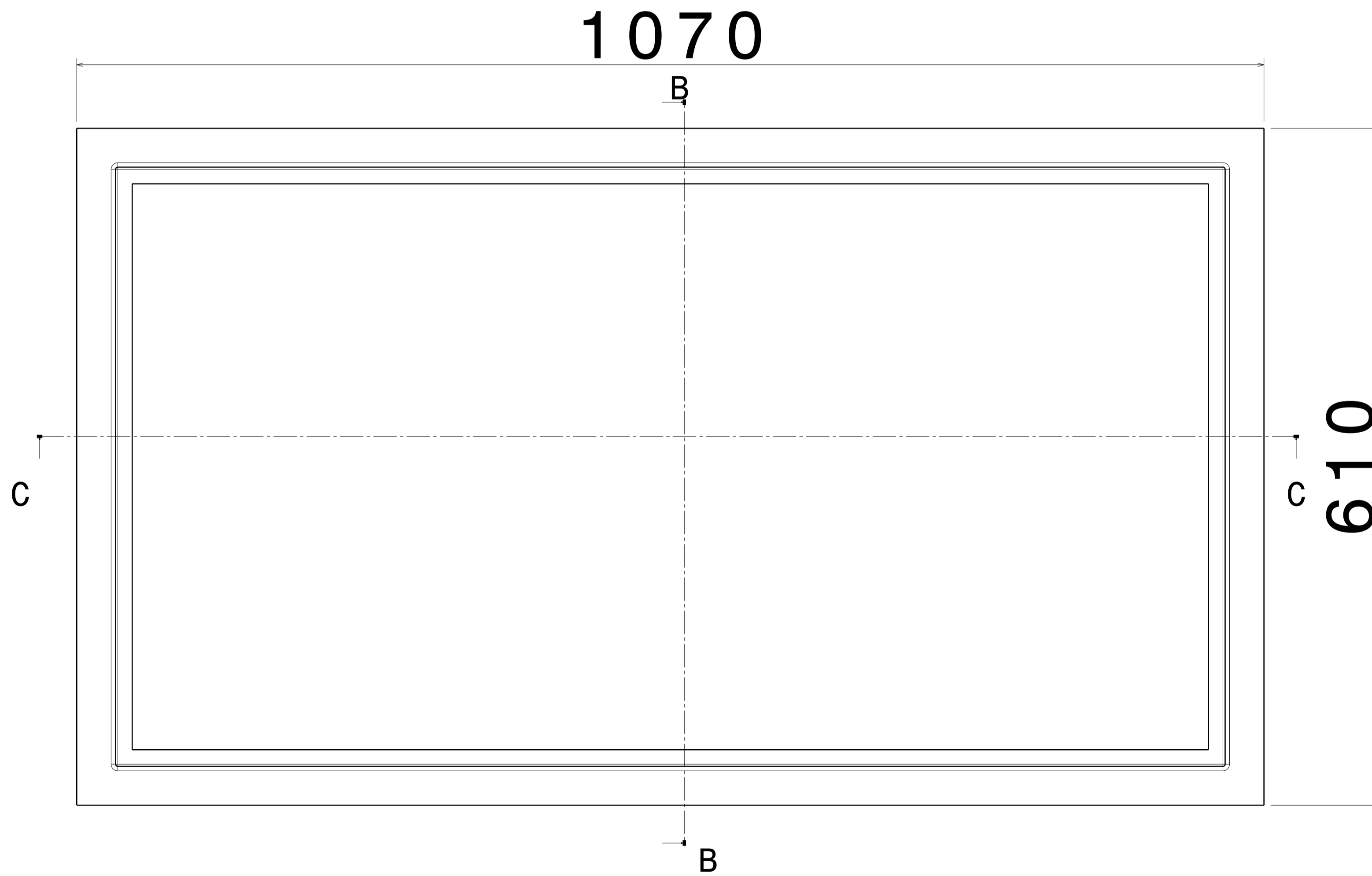
Solar water Purifier Exploded View



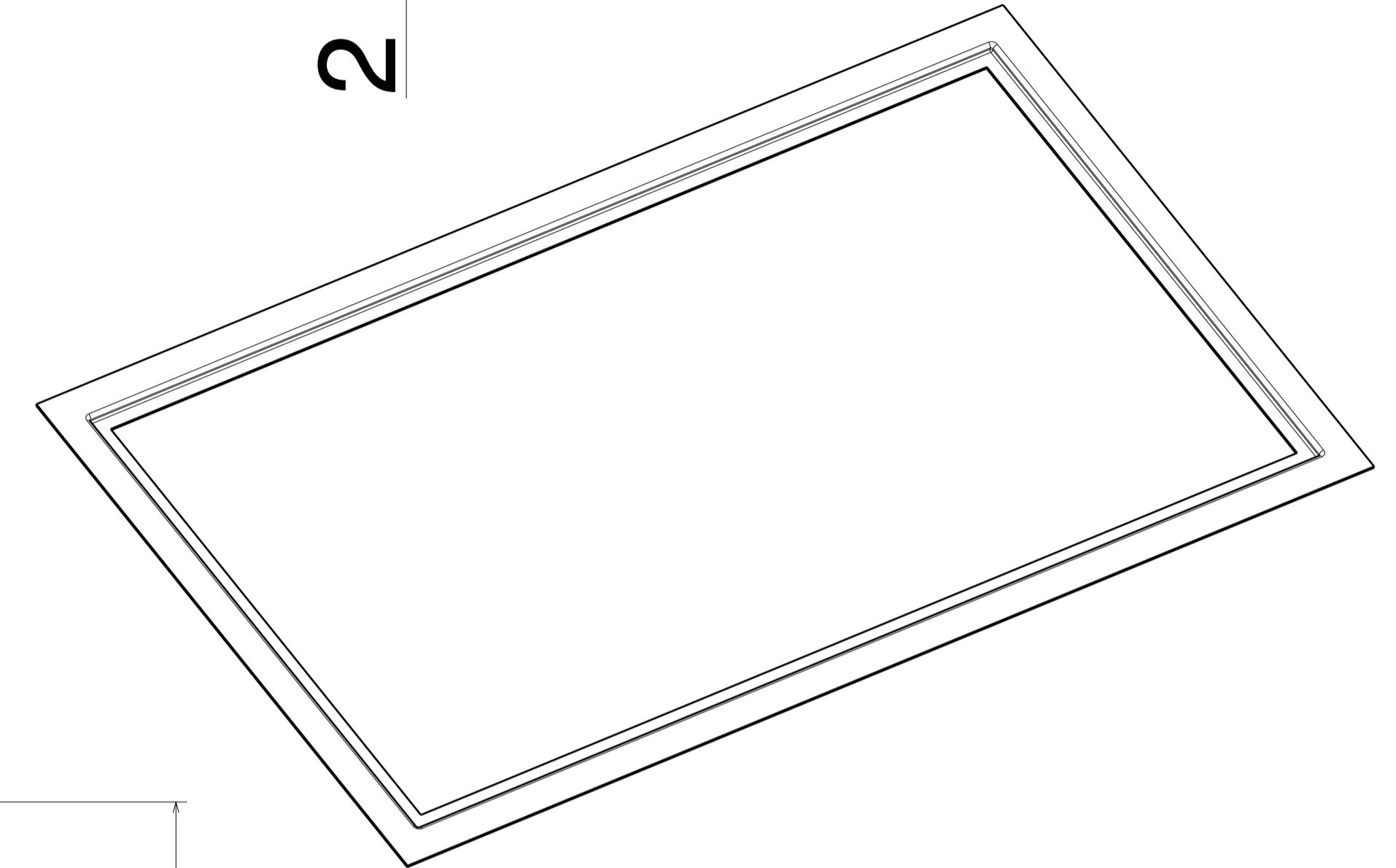
Section cut B-B
Scale: 1:3



Section cut C-C
Scale: 1:3

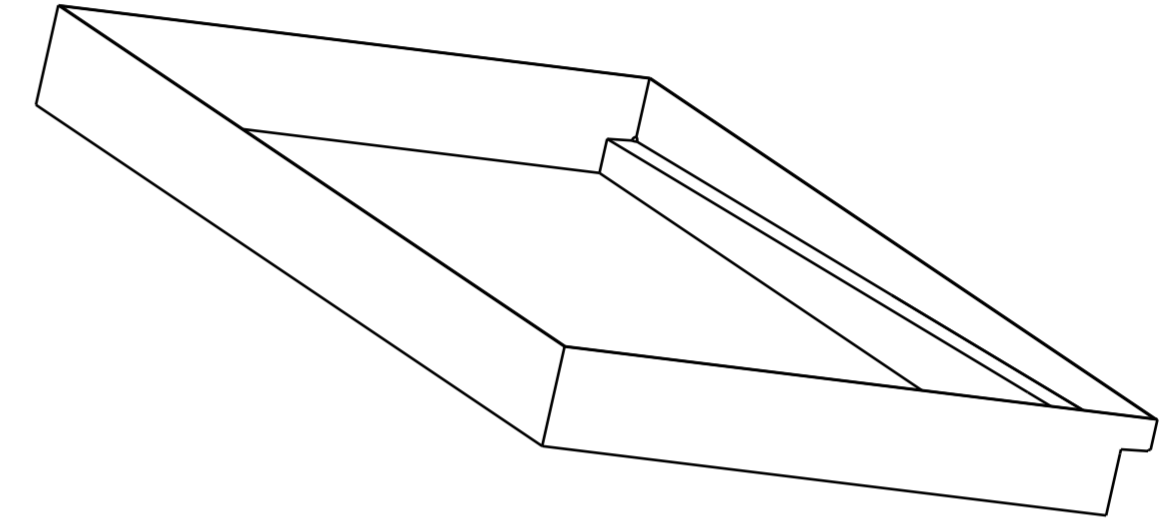
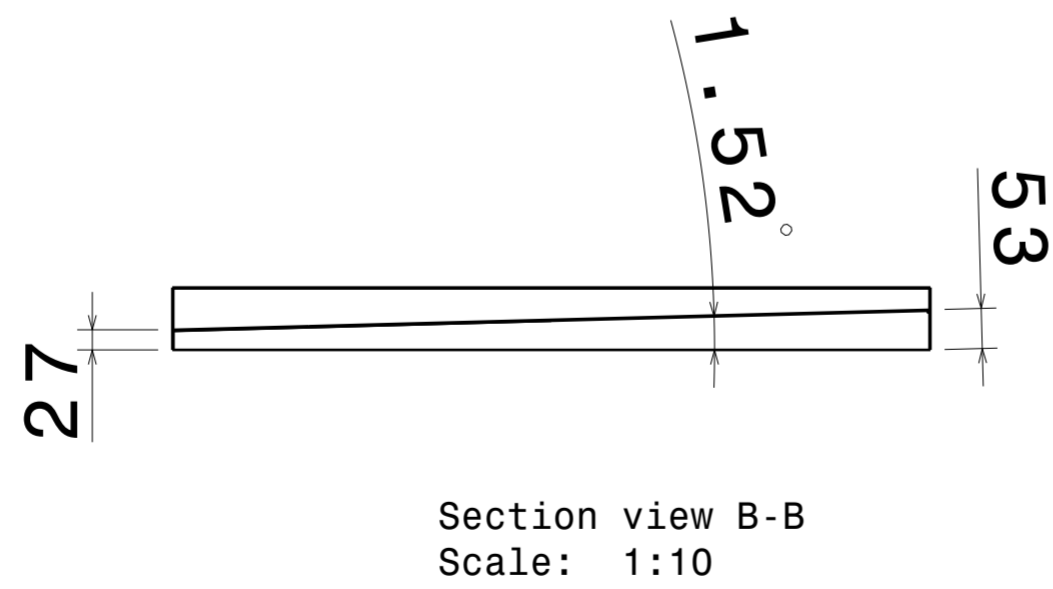
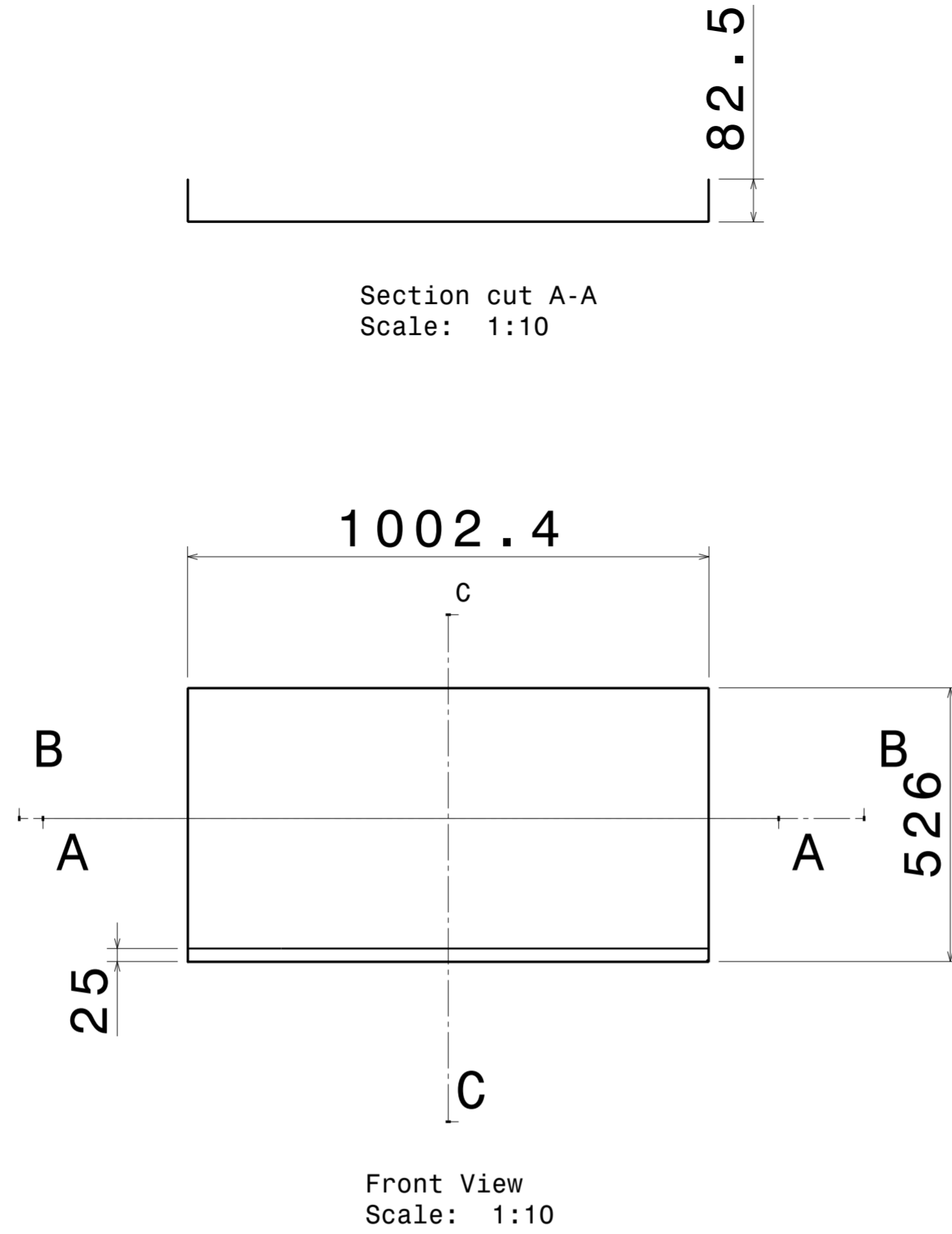
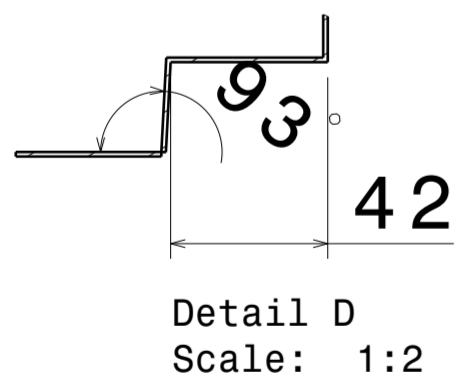
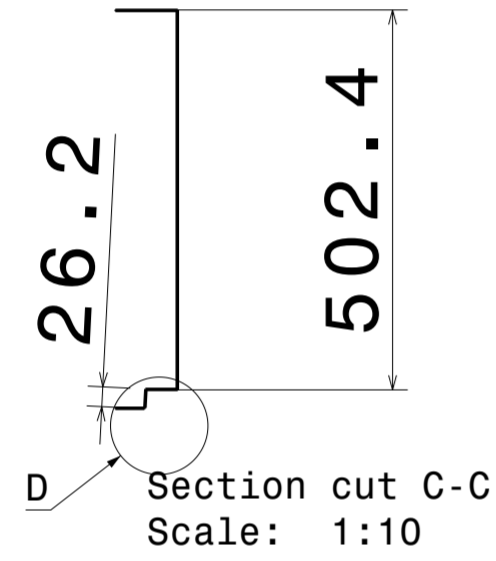


Front view
Scale: 1:3



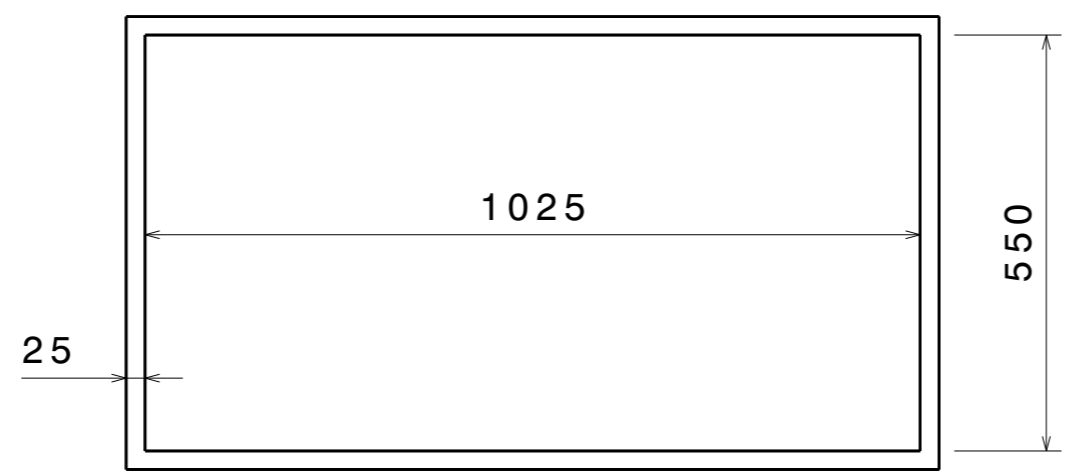
Isometric view
Scale: 1:5

DATE:	5/17/2015	Model	I	-
WATERIAL:	MILD STEEL	Solar Water Purifier mirror placement frame	H	-
			G	-
			F	-
SIZE:	A1	Organisation	E	-
		Suryagen renewable Energy pvt ltd	D	-
SCALE:	1:1	Sheet thickness : 2mm	C	-
	ALL DIMENSIONS ARE IN MM		B	-
			A	-
				1/1

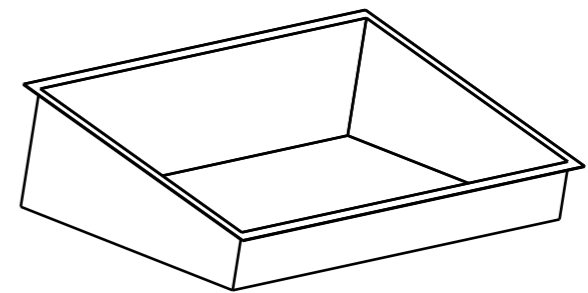


Isometric view
Scale: 1:6

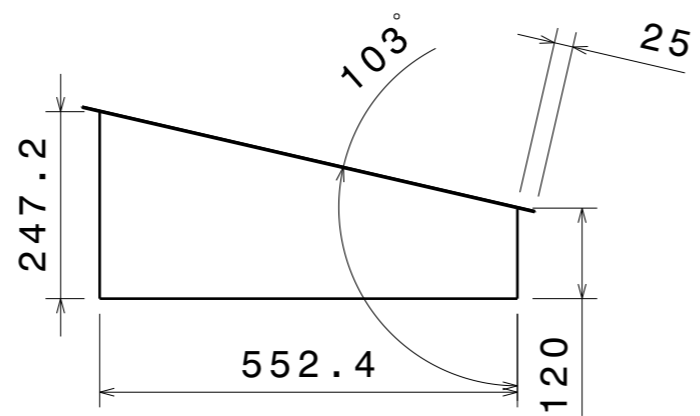
DATE: 5/17/2015		Model		I	-
Material: Stainless Steel		Solar Water Purifier Liner		H	-
SIZE: A2		Suryagen Renewable Energy Pvt Ltd		G	-
SCALE: 1:10		Sheet Thickness: 1mm		F	-
All Dimensions Are in mm		1/1		E	-
				D	-
				C	-
				B	-
				A	-



top view
Scale: 1:10



Isometric view
Scale: 1:15



side view
Scale: 1:10

DATE: 5/17/2015		Model Solar Water Purifier Outer Box		I	-
Material Mild Steel				H	-
SIZE A3		Organisation Suryagen Renewable Energy Pvt Ltd		G	-
SCALE 1:1				Sheet Thickness : 1.2mm	
All Dimensions Are in mm		SHEET 1/1		E	-
				D	-
				C	-
				B	-
				A	-